

BASETECH

POO080x34-Ø12 RAL9011

EAN 4031582320732

Telo tocka od polipropilena, obican lezaj

TENTE

BETTER MOBILITY. BETTER LIFE.

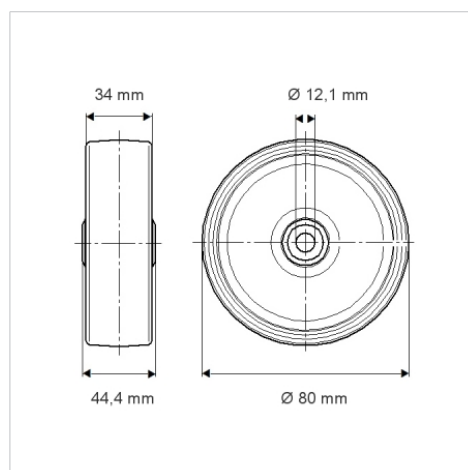


Picture may differ from original product

Tehnicki podaci

Precnik tocka.	80 mm
Sirina gazista.	34 mm
Otvor za osovinu Ø	12.1 mm
Duzina glavnice.	44.4 mm
Temperatura	- 20 / + 60 °C
Standard	EN 12532
Tezina	0.064 kg
Tvrdoca omotaca	Shore D 65
Dinamicka nosivost.	125 kg
Staticka nosivost.	250 kg

Dimensions



Advantages at a glance

Otpor okretanju	● ● ● ○ ○
Buka pri okretanju	● ● ● ○ ○
trenje , habanje	● ● ● ● ●
zastita od korozije	● ● ● ○ ○