

# BASETECH

POR108x36-Ø12

EAN 4031582320794

Wheel centre made Polypropylene, roller bearing



BETTER MOBILITY. BETTER LIFE.

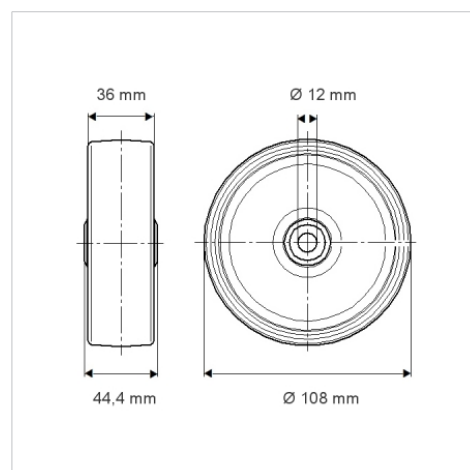


Picture may differ from original product

## Technical Data

Wheel diameter	108 mm
Wheel width	36 mm
Axle Hole-Ø	12 mm
Hub length	44.4 mm
Temperature	- 20 / + 60 °C
Standard	EN 12532
Weight	0.154 kg
Hardness of tread	Shore D 65
Load capacity	160 kg
Load capacity (static)	320 kg

## Dimensions



## Advantages at a glance

Roll performance	● ● ● ○ ○
Movement noise	● ● ● ○ ○
Attrition	● ● ● ● ●
Corrosion resistance	● ● ● ○ ○