

BASETECH

POR108x36-Ø12

EAN 4031582320794

Telo tocka od polipropilena, valjkasti lezaj



BETTER MOBILITY. BETTER LIFE.

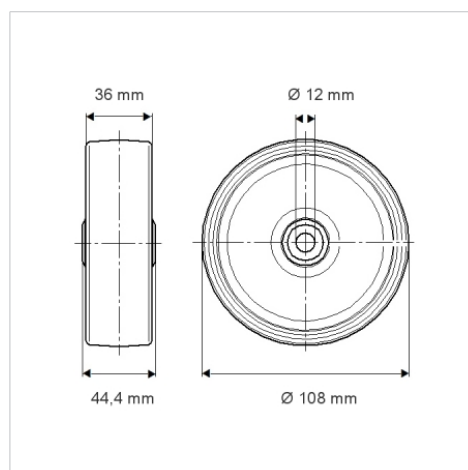


Picture may differ from original product

Tehnicki podaci

Precnik tocka.	108 mm
Sirina gazista.	36 mm
Otvor za osovinu Ø	12 mm
Duzina glavnice.	44.4 mm
Temperatura	- 20 / + 60 °C
Standard	EN 12532
Tezina	0.154 kg
Tvrdoca omotaca	Shore D 65
Dinamicka nosivost.	160 kg
Staticka nosivost.	320 kg

Dimensions



Advantages at a glance

Otpor okretanju	● ● ● ○ ○
Buka pri okretanju	● ● ● ○ ○
trenje , habanje	● ● ● ● ●
zastita od korozije	● ● ● ○ ○