

# BASETECH

POR125x40-Ø12 HL44,4

EAN 4031582320800

Telo tocka od polipropilena, valjkasti lezaj



BETTER MOBILITY. BETTER LIFE.

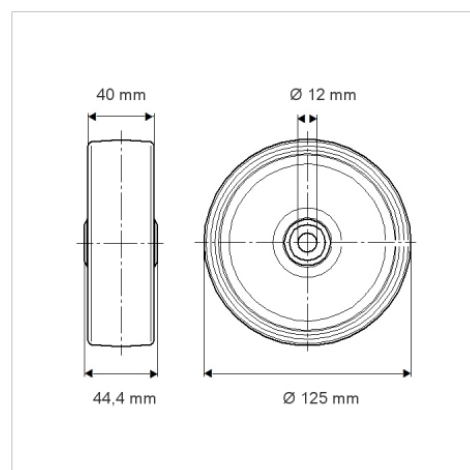


Picture may differ from original product

## Tehnicki podaci

Precnik tocka.	125 mm
Sirina gazista.	40 mm
Otvor za osovinu Ø	12 mm
Duzina glavcine.	44.4 mm
Temperatura	- 20 / + 60 °C
Standard	EN 12532
Tezina	0.2 kg
Tvrdoca omotaca	Shore D 65
Dinamicka nosivost.	200 kg
Staticka nosivost.	400 kg

## Dimensions



## Advantages at a glance

Otpor okretanju	● ● ● ○ ○
Buka pri okretanju	● ● ● ○ ○
trenje , habanje	● ● ● ● ●
zastita od korozije	● ● ● ○ ○