

BASETECH

POR125x40-Ø12 HL48

EAN 4031582320817

Wheel centre made Polypropylene, roller bearing



BETTER MOBILITY. BETTER LIFE.

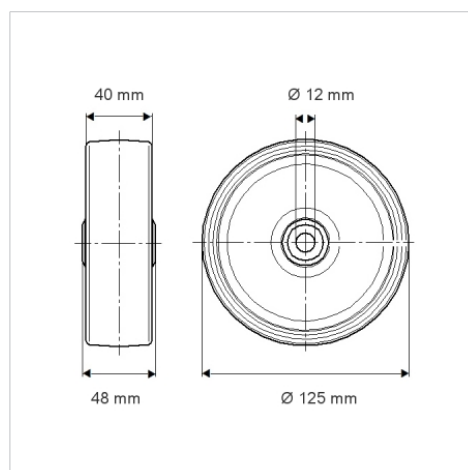


Picture may differ from original product

Technical Data

| | |
|------------------------|----------------|
| Wheel diameter | 125 mm |
| Wheel width | 40 mm |
| Axle Hole-Ø | 12 mm |
| Hub length | 48 mm |
| Temperature | - 20 / + 60 °C |
| Standard | EN 12532 |
| Weight | 0.207 kg |
| Hardness of tread | Shore D 65 |
| Load capacity | 200 kg |
| Load capacity (static) | 400 kg |

Dimensions



Advantages at a glance

| | |
|----------------------|-----------|
| Roll performance | ● ● ● ○ ○ |
| Movement noise | ● ● ● ○ ○ |
| Attrition | ● ● ● ● ● |
| Corrosion resistance | ● ● ● ○ ○ |