

BASETECH

POR125x40-Ø12 HL48

EAN 4031582320817

Wheel center made Polypropylene, roller bearing



BETTER MOBILITY. BETTER LIFE.

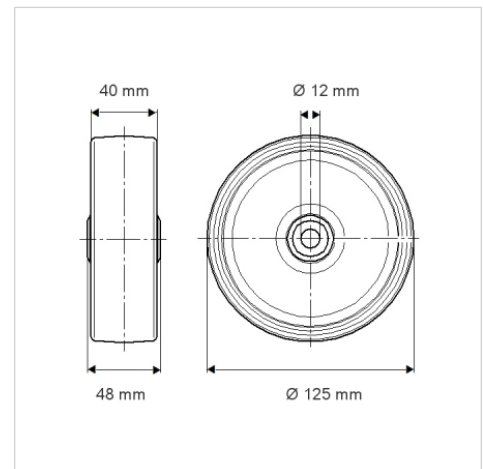


Picture may differ from original product

Technical Data

Wheel diameter	125 mm
Wheel width	40 mm
Axle Hole-Ø	12 mm
Hub length	48 mm
Temperature	- 20 / + 60 °C
Standard	EN 12532
Weight	0.207 kg
Hardness of tread	Shore D 65
Load capacity (dynamic)	200 kg
Load capacity (static)	400 kg

Dimensions



Advantages at a glance

Roll performance	● ● ● ○ ○
Movement noise	● ● ● ○ ○
Attrition	● ● ● ● ●
Corrosion resistance	● ● ● ○ ○