

BASETECH

POR125x40-Ø12 HL48

EAN 4031582320817

Telo tocka od polipropilena, valjkasti lezaj

TENTE

BETTER MOBILITY. BETTER LIFE.

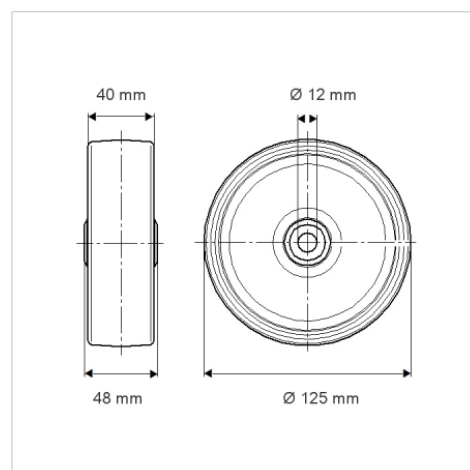


Picture may differ from original product

Tehnicki podaci

Precnik tocka.	125 mm
Sirina gazista.	40 mm
Otvor za osovinu Ø	12 mm
Duzina glavcine.	48 mm
Temperatura	- 20 / + 60 °C
Standard	EN 12532
Tezina	0.207 kg
Tvrdoca omotaca	Shore D 65
Dinamicka nosivost.	200 kg
Staticka nosivost.	400 kg

Dimensions



Advantages at a glance

Otpor okretanju	● ● ● ○ ○
Buka pri okretanju	● ● ● ○ ○
trenje , habanje	● ● ● ● ●
zastita od korozije	● ● ● ○ ○