

PURETECH

PVO100x35-Ø12

EAN 4031582321197

Wheel center made of Polypropylene, Tread: solid rubber, black, plain bearing



BETTER MOBILITY. BETTER LIFE.

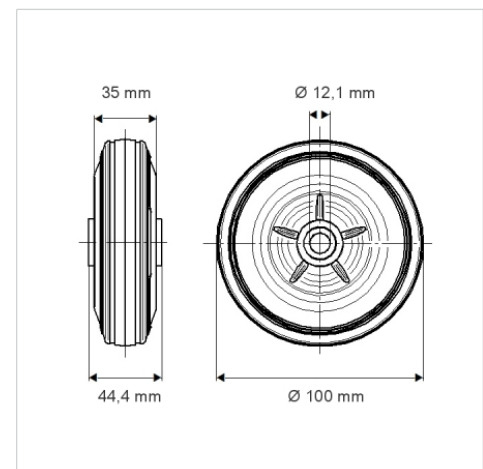


Picture may differ from original product

Technical Data

Wheel diameter	100 mm
Wheel width	35 mm
Axle Hole-Ø	12.1 mm
Hub length	44.4 mm
Temperature	- 20 / + 60 °C
Standard	EN 12532
Weight	0.195 kg
Hardness of tread	Shore A 80
Load capacity (dynamic)	75 kg
Load capacity (static)	150 kg

Dimensions



Advantages at a glance

Roll performance	● ● ○ ○ ○ ○
Movement noise	● ● ● ○ ○ ○
Attrition	● ● ○ ○ ○ ○
Corrosion resistance	● ● ● ○ ○ ○