

# PURETECH

## PVO100x35-Ø12

EAN 4031582321197

Telo tocka od polipropilena, Omotac: tvrda guma , crna , obican lezaj

**TENTE**

BETTER MOBILITY. BETTER LIFE.

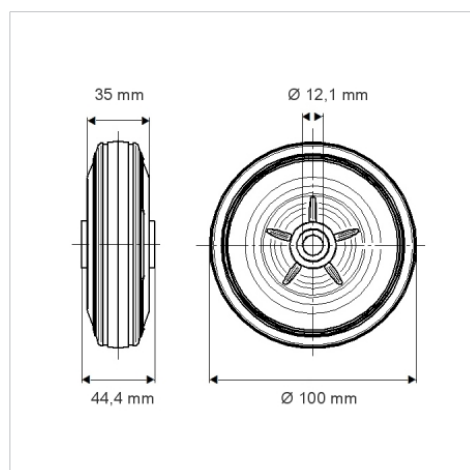


Picture may differ from original product

### Tehnicki podaci

Precnik tocka.	100 mm
Sirina gazista.	35 mm
Otvor za osovinu Ø	12.1 mm
Duzina glavicine.	44.4 mm
Temperatura	- 20 / + 60 °C
Standard	EN 12532
Tezina	0.195 kg
Tvrdoca omotaca	Shore A 80
Dinamicka nosivost.	75 kg
Staticka nosivost.	150 kg

### Dimensions



### Advantages at a glance

Otpor okretanju	● ● ○ ○ ○
Buka pri okretanju	● ● ● ○ ○
trenje , habanje	● ● ○ ○ ○
zastita od korozije	● ● ● ○ ○