

PURETECH

PVO125x37-Ø12

EAN 4031582321203

Telo tocka od polipropilena, Omotac: tvrda guma , crna , obican lezaj

TENTE

BETTER MOBILITY. BETTER LIFE.

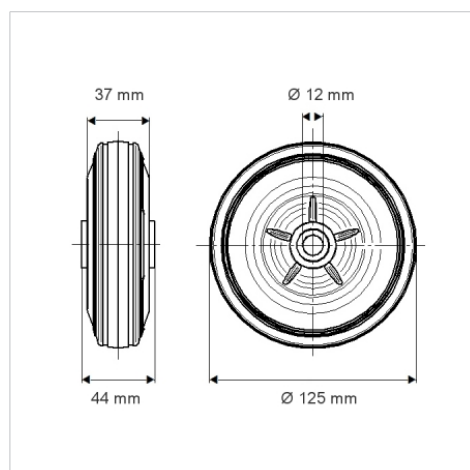


Picture may differ from original product

Tehnicki podaci

| | |
|---------------------|----------------|
| Precnik tocka. | 125 mm |
| Sirina gazista. | 37 mm |
| Otvor za osovinu Ø | 12 mm |
| Duzina glavcine. | 44 mm |
| Temperatura | - 20 / + 60 °C |
| Standard | EN 12532 |
| Tezina | 0.453 kg |
| Tvrdoca omotaca | Shore A 80 |
| Dinamicka nosivost. | 100 kg |
| Staticka nosivost. | 200 kg |

Dimensions



Advantages at a glance

| | |
|---------------------|-----------|
| Otpor okretanju | ● ● ○ ○ ○ |
| Buka pri okretanju | ● ● ● ○ ○ |
| trenje , habanje | ● ● ○ ○ ○ |
| zastita od korozije | ● ● ● ○ ○ |