

PURETECH

PVO200x50-Ø20

EAN 4031582321227

Telo tocka od polipropilena, Omotac: tvrda guma , crna , obican lezaj

TENTE

BETTER MOBILITY. BETTER LIFE.

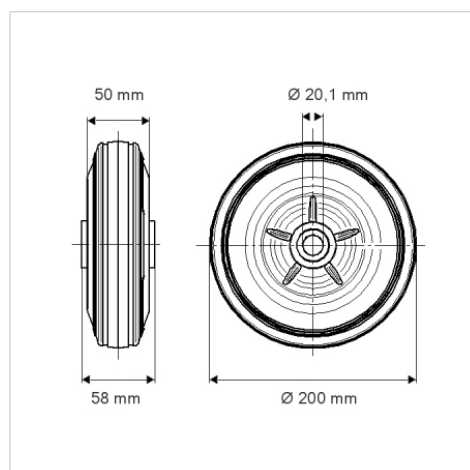


Picture may differ from original product

Tehnicki podaci

Precnik tocka.	200 mm
Sirina gazista.	50 mm
Otvor za osovinu Ø	20.1 mm
Duzina glavacine.	58 mm
Temperatura	- 20 / + 60 °C
Standard	EN 12532
Tezina	1.155 kg
Tvrdoca omotaca	Shore A 80
Dinamicka nosivost.	205 kg
Staticka nosivost.	410 kg

Dimensions



Advantages at a glance

Otpor okretanju	● ● ○ ○ ○
Buka pri okretanju	● ● ● ○ ○
trenje , habanje	● ● ○ ○ ○
zastita od korozije	● ● ● ○ ○