

# PURETECH

**PVR125x37-Ø12 HL44,4**

EAN 4031582321265

Telo tocka od polipropilena, Omotac: tvrda guma, crna , valjkasti lezaj

**TENTE**

BETTER MOBILITY. BETTER LIFE.

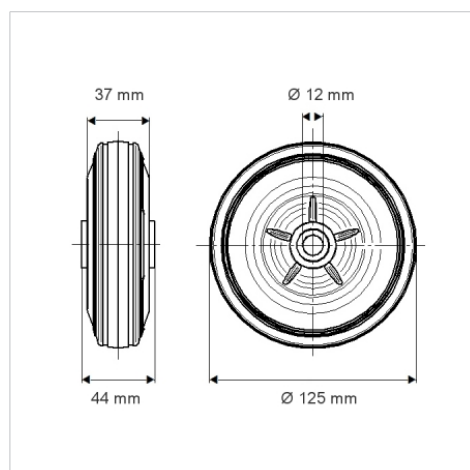


Picture may differ from original product

## Tehnicki podaci

Precnik tocka.	300 mm
Sirina gazista.	37 mm
Otvor za osovinu Ø	12 mm
Duzina glavicine.	44 mm
Temperatura	- 20 / + 60 °C
Standard	EN 12532
Tezina	0.467 kg
Tvrdoca omotaca	Shore A 80
Dinamicka nosivost.	100 kg
Staticka nosivost.	200 kg

## Dimensions



## Advantages at a glance

Otpor okretanju	● ● ● ○ ○
Buka pri okretanju	● ● ● ○ ○
trenje , habanje	● ● ○ ○ ○
zastita od korozije	● ● ● ○ ○