

# PURETECH

PVR125x37-Ø12 HL48

EAN 4031582321272

Wheel centre made of Polypropylene, Tread: solid rubber, black, roller bearing



BETTER MOBILITY. BETTER LIFE.

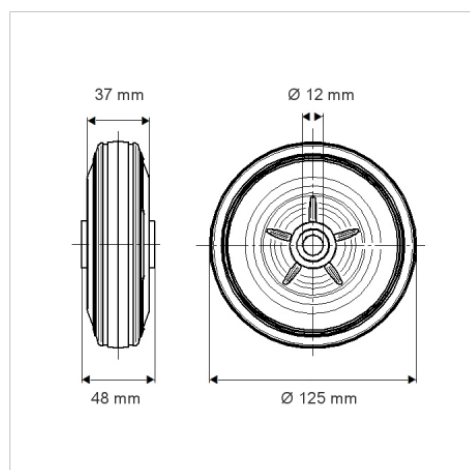


Picture may differ from original product

## Technical Data

|                        |                |
|------------------------|----------------|
| Wheel diameter         | 125 mm         |
| Wheel width            | 37 mm          |
| Axle Hole-Ø            | 12 mm          |
| Hub length             | 48 mm          |
| Temperature            | - 20 / + 60 °C |
| Standard               | EN 12532       |
| Weight                 | 0.471 kg       |
| Hardness of tread      | Shore A 85     |
| Load capacity          | 100 kg         |
| Load capacity (static) | 200 kg         |

## Dimensions



## Advantages at a glance

|                      |           |
|----------------------|-----------|
| Roll performance     | ● ● ● ○ ○ |
| Movement noise       | ● ● ● ○ ○ |
| Attrition            | ● ● ○ ○ ○ |
| Corrosion resistance | ● ● ● ○ ○ |