

PURETECH

PVR125x37-Ø12 HL48

EAN 4031582321272

Telo tocka od polipropilena, Omotac: tvrda guma, crna , valjkasti lezaj

TENTE

BETTER MOBILITY. BETTER LIFE.

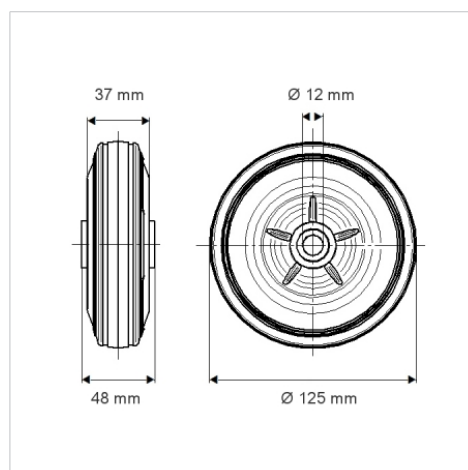


Picture may differ from original product

Tehnicki podaci

Precnik tocka.	125 mm
Sirina gazista.	37 mm
Otvor za osovinu Ø	12 mm
Duzina glavcine.	48 mm
Temperatura	- 20 / + 60 °C
Standard	EN 12532
Tezina	0.471 kg
Tvrdoca omotaca	Shore A 85
Dinamicka nosivost.	100 kg
Staticka nosivost.	200 kg

Dimensions



Advantages at a glance

Otpor okretanju	● ● ● ○ ○
Buka pri okretanju	● ● ● ○ ○
trenje , habanje	● ● ○ ○ ○
zastita od korozije	● ● ● ○ ○