

# PURETECH

## PVR160x40-Ø20

EAN 4031582321296

Telo tocka od polipropilena, Omotac: tvrda guma, crna , valjkasti lezaj

**TENTE**

BETTER MOBILITY. BETTER LIFE.

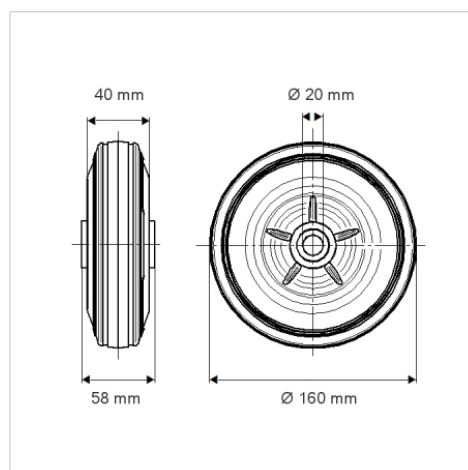


Picture may differ from original product

### Tehnicki podaci

Precnik tocka.	160 mm
Sirina gazista.	40 mm
Otvor za osovinu Ø	20 mm
Duzina glavcine.	58 mm
Temperatura	- 20 / + 60 °C
Standard	EN 12532
Tezina	0.842 kg
Tvrdoca omotaca	Shore A 80
Dinamicka nosivost.	135 kg
Staticka nosivost.	270 kg

### Dimensions



### Advantages at a glance

Otpor okretanju	● ● ● ○ ○
Buka pri okretanju	● ● ● ○ ○
trenje , habanje	● ● ○ ○ ○
zastita od korozije	● ● ● ○ ○