

PURETECH

PVR250x60-Ø25

EAN 4031582321340

Telo tocka od polipropilena, Omotac: tvrda guma, crna , valjkasti lezaj

TENTE

BETTER MOBILITY. BETTER LIFE.

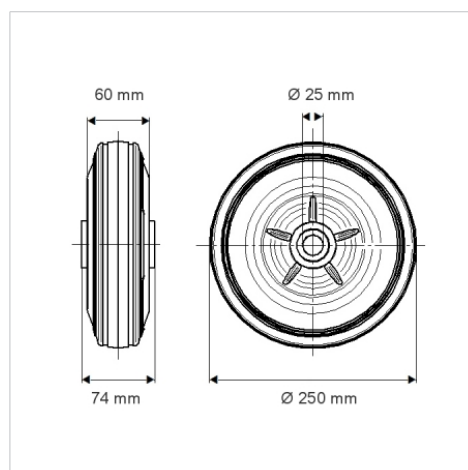


Picture may differ from original product

Tehnicki podaci

Precnik tocka.	250 mm
Sirina gazista.	60 mm
Otvor za osovinu Ø	25 mm
Duzina glavnice.	74 mm
Temperatura	- 20 / + 60 °C
Standard	EN 12532
Tezina	2.872 kg
Tvrdoca omotaca	Shore A 80
Dinamicka nosivost.	295 kg
Staticka nosivost.	590 kg

Dimensions



Advantages at a glance

Otpor okretanju	● ● ● ○ ○
Buka pri okretanju	● ● ● ○ ○
trenje , habanje	● ● ○ ○ ○
zastita od korozije	● ● ● ○ ○