

R40-17x17 / 11

EAN 4031582090161

plastic sockets (square)



BETTER MOBILITY. BETTER LIFE.

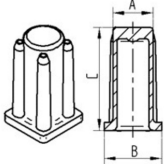


Picture may differ from original product

Technical Data

Bolt-Ø	17 mm
Overall height	36 mm
Weight	0.005 kg
Collar-Ø	19 mm
Load capacity (dynamic)	40 kg
Load capacity (static)	80 kg

Dimensions



Bezeichnung	A	B	C
R40-16x16	16	20	36
R40-17x17	17	19	36
R40-18x18	18	20	36
R40-21x21	21	23,5	36
R40-22x22	22	24,5	36
R40-23x23	23	25,5	36
R40-26x26	26	30	36

Advantages at a glance

Roll performance	○ ○ ○ ○ ○
Movement noise	○ ○ ○ ○ ○
Attrition	○ ○ ○ ○ ○
Corrosion resistance	● ● ● ○ ○