

R48-22,5-Ø18

EAN 4031582321739

reducerhuls, vierkant



BETTER MOBILITY. BETTER LIFE.



Foto kan afwijken van het originele product

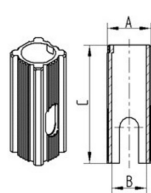
Technische gegevens

| | |
|---------------|----------|
| Stift-Ø | 18 mm |
| Stiftlengte | 62 mm |
| Eigen gewicht | 0.014 kg |

Kenmerken

| | |
|---------------------|-----------|
| Rolweerstand | ○ ○ ○ ○ ○ |
| Verplaatsingsgeluid | ○ ○ ○ ○ ○ |
| Strepen | ○ ○ ○ ○ ○ |
| Roest bescherming | ● ● ● ○ ○ |

Afmetingen



| Bezeichnung | A | B | C |
|--------------|------|-----|----|
| R48-225-Ø18 | 226 | Ø18 | 62 |
| R48-275-Ø18 | 275 | Ø18 | 62 |
| R48-27-Ø22 | 27 | Ø22 | 45 |
| R48-32-Ø22 | 32 | Ø22 | 45 |
| R48-36-Ø22 | 36 | Ø22 | 60 |
| R48-32-Ø28 | 32 | Ø28 | 45 |
| R48-3365-Ø28 | 3365 | Ø28 | 45 |
| R48-36-Ø28 | 36 | Ø28 | 60 |