

R48-27,5-Ø18

EAN 4031582321746

bucșă de reducere (pătrată)



BETTER MOBILITY. BETTER LIFE.



Picture may differ from original product

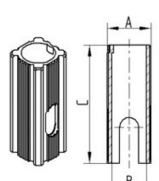
Date Tehnice

Diametru bolț	18 mm
Lungime bolț	62 mm
Greutate	0.041 kg

Advantages at a glance

Rezistență la rulare	○ ○ ○ ○ ○
Zgomot de mișcare	○ ○ ○ ○ ○
Uzare	○ ○ ○ ○ ○
Protecție împotriva ruginii	● ● ● ○ ○

Dimensions



Bezeichnung	A	B	C
R48-225-Ø18	226	Ø18	62
R48-275-Ø18	275	Ø18	62
R48-27-Ø22	27	Ø22	45
R48-32-Ø22	32	Ø22	45
R48-36-Ø22	36	Ø22	60
R48-32-Ø28	32	Ø28	45
R48-3365-Ø28	3365	Ø28	45
R48-36-Ø28	36	Ø28	60