

NOVATECH

STP250x100-Ø35 HL120

EAN 4031582322231

Telo tocka od presovanog celika, lakirano, visoke nosivosti Omotac: Poliuretan, liven, precizni kuglicni lezaj

TENTE

BETTER MOBILITY. BETTER LIFE.

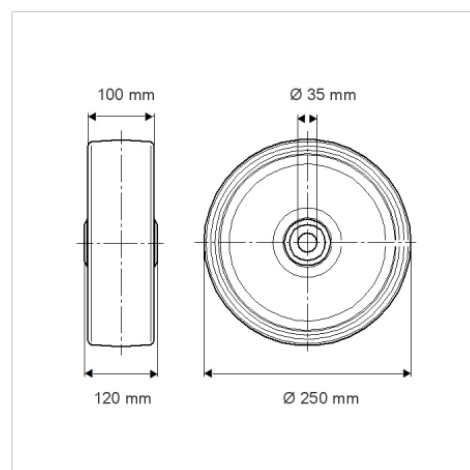


Picture may differ from original product

Tehnicki podaci

Precnik tocka.	250 mm
Sirina gazista.	100 mm
Otvor za osovinu Ø	35 mm
Duzina glavcine.	120 mm
Temperatura	- 10 / + 60 °C
Standard	EN 12533
Tezina	18.321 kg
Tvrdoca omotaca	Shore D 42
Dinamicka nosivost.	2200 kg
Staticka nosivost.	4400 kg

Dimensions



Advantages at a glance

Otpor okretanju	● ● ● ○ ○
Buka pri okretanju	● ● ● ○ ○
trenje, habanje	● ● ● ● ○
zastita od korozije	● ● ● ○ ○

Structure & Mounting

