

# NOVATECH

## STP400x100-Ø40 HL120

EAN 4031582322262

Telo tocka od presovanog celika, lakirano, visoke nosivosti Omotac: Poliuretan, liven, precizni kuglicni lezaj

# TENTE

BETTER MOBILITY. BETTER LIFE.



Picture may differ from original product

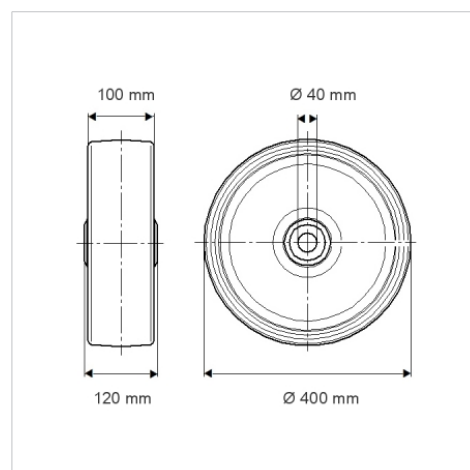
### Tehnicki podaci

Precnik tocka.	400 mm
Sirina gazista.	100 mm
Otvor za osovinu Ø	40 mm
Duzina glavcine.	120 mm
Temperatura	- 10 / + 60 °C
Standard	EN 12533
Tezina	34.031 kg
Tvrdoca omotaca	Shore D 42
Dinamicka nosivost.	3200 kg
Staticka nosivost.	6400 kg

### Advantages at a glance

Otpor okretanju	● ● ● ○ ○
Buka pri okretanju	● ● ● ○ ○
trenje, habanje	● ● ● ● ○
zastita od korozije	● ● ● ○ ○

### Dimensions



### Structure & Mounting

