

NOVATECH

STP500x150-Ø50 HL160

EAN 4031582322286

Telo tocka od presovanog celika, lakirano, visoke nosivosti Omotac:
Poliuretan, liven, precizni kuglicni lezaj

TENTE

BETTER MOBILITY. BETTER LIFE.



Picture may differ from original product

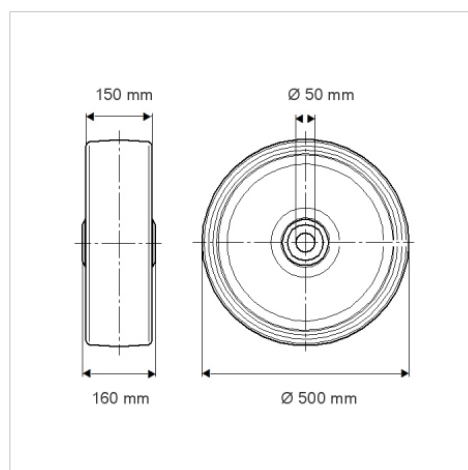
Tehnicki podaci

Precnik tocka.	500 mm
Sirina gazista.	150 mm
Otvor za osovinu Ø	50 mm
Duzina glavcine.	160 mm
Temperatura	- 10 / + 60 °C
Standard	EN 12533
Tezina	62.353 kg
Tvrdoca omotaca	Shore D 42
Dinamicka nosivost.	5300 kg
Staticka nosivost.	10600 kg

Advantages at a glance

Otpor okretanju	● ● ● ○ ○
Buka pri okretanju	● ● ● ○ ○
trenje, habanje	● ● ● ● ○
zastita od korozije	● ● ● ○ ○

Dimensions



Structure & Mounting

