

# NOVATECH

## STP500x80-Ø50 HL90

EAN 4031582322293

Telo tocka od presovanog celika, lakirano, visoke nosivosti Omotac:  
Poliuretan, liven, precizni kuglicni lezaj

# TENTE

BETTER MOBILITY. BETTER LIFE.

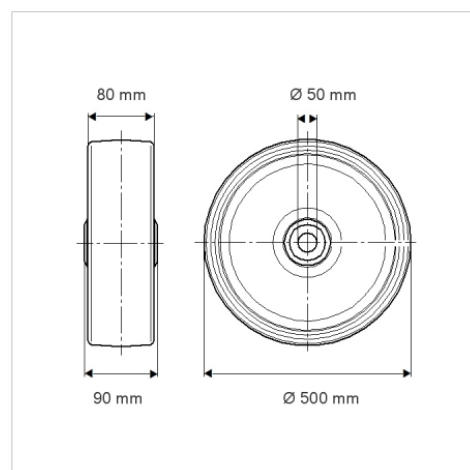


Picture may differ from original product

### Tehnicki podaci

Precnik tocka.	500 mm
Sirina gazista.	80 mm
Otvor za osovinu Ø	50 mm
Duzina glavcine.	90 mm
Temperatura	- 10 / + 60 °C
Standard	EN 12533
Tezina	40.634 kg
Tvrdoca omotaca	Shore D 42
Dinamicka nosivost.	3200 kg
Staticka nosivost.	6400 kg

### Dimensions



### Advantages at a glance

Otpor okretanju	● ● ● ○ ○
Buka pri okretanju	● ● ● ○ ○
trenje, habanje	● ● ● ● ○
zastita od korozije	● ● ● ○ ○

### Structure & Mounting

