

DURATECH

TOO125x50-Ø15

EAN 4031582322507

Wheel centre made of Polyamide, heavy duty, plain bearing



BETTER MOBILITY. BETTER LIFE.

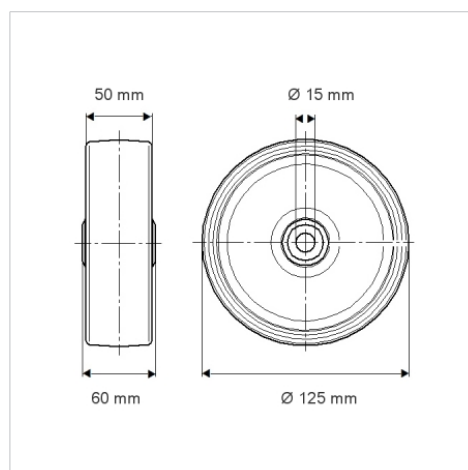


Picture may differ from original product

Technical Data

| | |
|------------------------|----------------|
| Wheel diameter | 125 mm |
| Wheel width | 50 mm |
| Axle Hole-Ø | 15 mm |
| Hub length | 60 mm |
| Temperature | - 40 / + 80 °C |
| Standard | EN 12533 |
| Weight | 0.536 kg |
| Hardness of tread | Shore D 75 |
| Load capacity | 700 kg |
| Load capacity (static) | 1400 kg |

Dimensions



Advantages at a glance

| | |
|----------------------|-----------|
| Roll performance | ● ● ● ○ ○ |
| Movement noise | ● ● ● ○ ○ |
| Attrition | ● ● ● ● ● |
| Corrosion resistance | ● ● ● ○ ○ |

Structure & Mounting

