

DURATECH

TOP100x50-Ø20

EAN 4031582322675

Telo tocka od poliamida, visoke nosivosti, precizni kuglicni lezaj

TENTE

BETTER MOBILITY. BETTER LIFE.



Picture may differ from original product

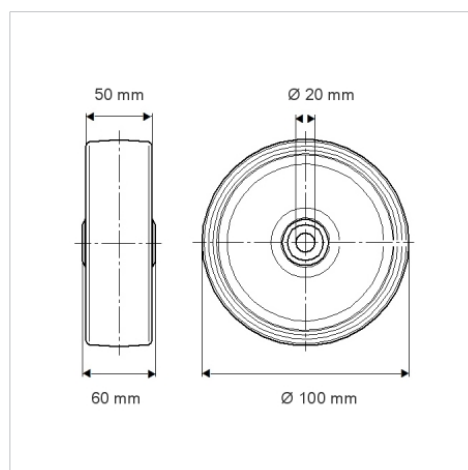
Tehnicki podaci

Precnik tocka.	100 mm
Sirina gazista.	50 mm
Otvor za osovinu Ø	20 mm
Duzina glavcine.	60 mm
Temperatura	- 40 / + 80 °C
Standard	EN 12533
Tezina	0.527 kg
Tvrdoca omotaca	Shore D 75
Bearing	6004 Br.
Dinamicka nosivost.	600 kg
Staticka nosivost.	1200 kg

Advantages at a glance

Otpor okretanju	● ● ● ● ●
Buka pri okretanju	● ● ● ○ ○
trenje , habanje	● ● ● ● ●
zastita od korozije	● ● ● ○ ○

Dimensions



Structure & Mounting

