

DURATECH

TOP160x50-Ø20

EAN 4031582322705

Wheel center made of Polyamide, heavy duty, precision ball bearing



BETTER MOBILITY. BETTER LIFE.

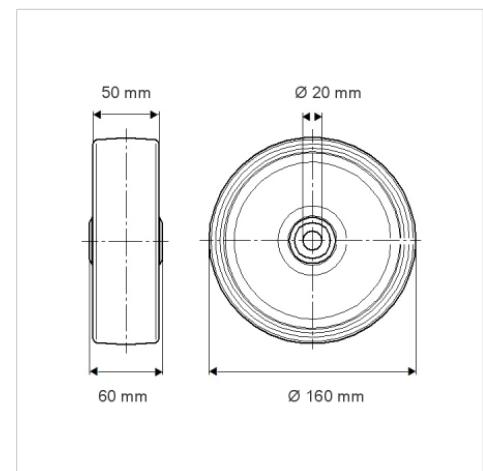


Picture may differ from original product

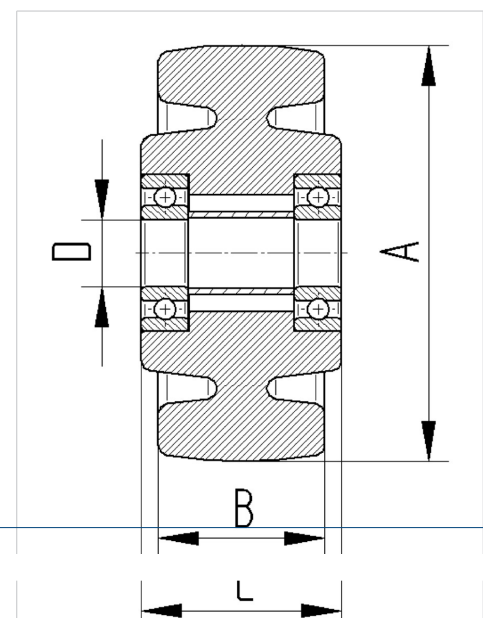
Technical Data

| | |
|-------------------------|----------------|
| Wheel diameter | 160 mm |
| Wheel width | 50 mm |
| Axle Hole-Ø | 20 mm |
| Hub length | 60 mm |
| Temperature | - 40 / + 80 °C |
| Standard | EN 12533 |
| Weight | 1.136 kg |
| Hardness of tread | Shore D 75 |
| Bearing | 6204 No. |
| Load capacity (dynamic) | 850 kg |
| Load capacity (static) | 1700 kg |

Dimensions



Structure & Mounting



Advantages at a glance

| | |
|----------------------|-----------|
| Roll performance | ● ● ● ● ● |
| Movement noise | ● ● ● ○ ○ |
| Attrition | ● ● ● ● ● |
| Corrosion resistance | ● ● ● ○ ○ |