

# DURATECH

## TOP250x50-Ø25

EAN 4031582322743

Telo tocka od poliamida, visoke nosivosti, precizni kuglicni lezaj

**TENTE**

BETTER MOBILITY. BETTER LIFE.



Picture may differ from original product

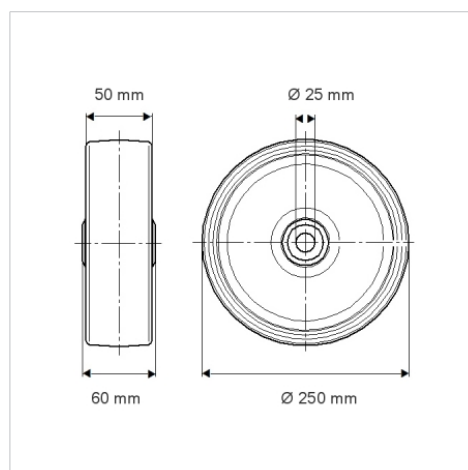
### Tehnicki podaci

Precnik tocka.	250 mm
Sirina gazista.	50 mm
Otvor za osovinu Ø	25 mm
Duzina glavcine.	60 mm
Temperatura	- 40 / + 80 °C
Standard	EN 12533
Tezina	1.858 kg
Tvrdoca omotaca	Shore D 75
Bearing	6205 Br.
Dinamicka nosivost.	1100 kg
Staticka nosivost.	2200 kg

### Advantages at a glance

Otpor okretanju	● ● ● ● ●
Buka pri okretanju	● ● ● ○ ○
trenje , habanje	● ● ● ● ●
zastita od korozije	● ● ● ○ ○

### Dimensions



### Structure & Mounting

