

MAXTECH

UAI050x20-Ø6

EAN 4031582322828

Wheel centre made of Polyamide, Tread: Polyurethane, plain bearing



BETTER MOBILITY. BETTER LIFE.

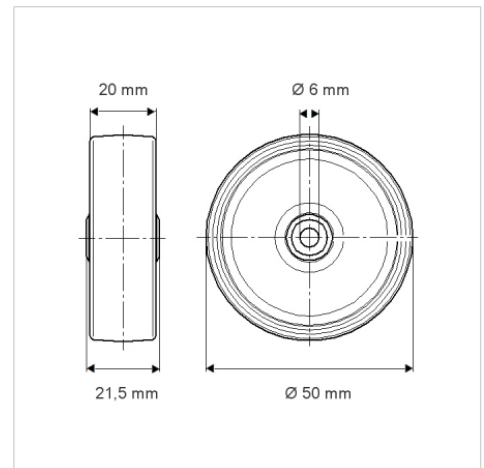


Picture may differ from original product

Technical Data

| | |
|------------------------|----------------|
| Wheel diameter | 50 mm |
| Wheel width | 20 mm |
| Axle Hole-Ø | 6 mm |
| Hub length | 21.5 mm |
| Temperature | - 40 / + 80 °C |
| Standard | EN 12530 |
| Weight | 0.029 kg |
| Hardness of tread | Shore D 40 |
| Load capacity | 50 kg |
| Load capacity (static) | 100 kg |

Dimensions



Advantages at a glance

| | |
|----------------------|-----------|
| Roll performance | ● ● ● ○ ○ |
| Movement noise | ● ● ● ○ ○ |
| Attrition | ● ● ● ● ○ |
| Corrosion resistance | ● ● ● ○ ○ |