

MAXTECH

UAK050x20-Ø6

EAN 4031582322835

Wheel center made of Polyamide, Tread: Polyurethane, with threadguards, cone ball bearing



BETTER MOBILITY. BETTER LIFE.

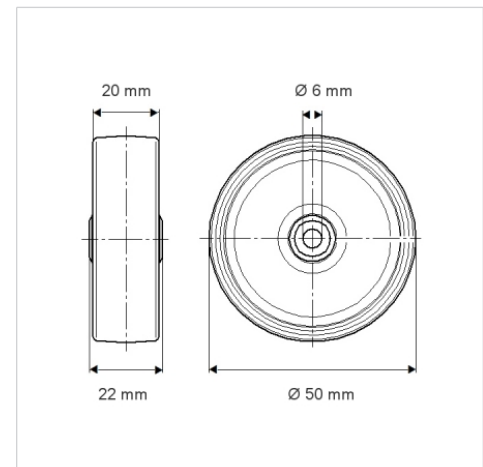


Picture may differ from original product

Technical Data

Wheel diameter	50 mm
Wheel width	20 mm
Axle Hole-Ø	6 mm
Hub length	22 mm
Temperature	- 25 / + 80 °C
Standard	EN 12530
Weight	0.066 kg
Hardness of tread	Shore D 42
Load capacity (dynamic)	50 kg
Load capacity (static)	100 kg

Dimensions



Advantages at a glance

Roll performance	● ● ● ○ ○
Movement noise	● ● ● ○ ○
Attrition	● ● ● ○ ○
Corrosion resistance	● ● ● ○ ○