

MAXTECH

UAK050x20-Ø6

EAN 4031582322835

Telo tocka od poliamida , Omotac; Poliuretan , sa ratkapnama , konusni lezaj



BETTER MOBILITY. BETTER LIFE.

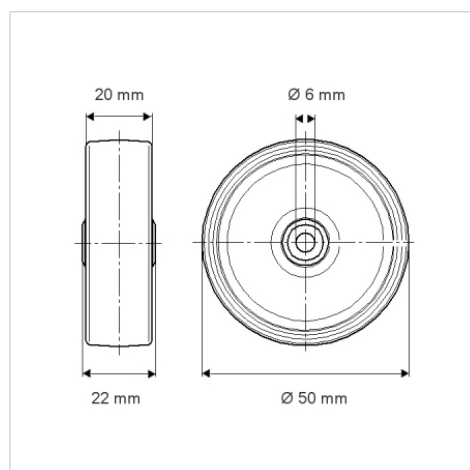


Picture may differ from original product

Tehnicki podaci

Precnik tocka.	50 mm
Sirina gazista.	20 mm
Otvor za osovinu Ø	6 mm
Duzina glavcine.	22 mm
Temperatura	- 25 / + 80 °C
Standard	EN 12530
Tezina	0.066 kg
Tvrdoca omotaca	Shore D 42
Dinamicka nosivost.	50 kg
Staticka nosivost.	100 kg

Dimensions



Advantages at a glance

Otpor okretanju	● ● ● ○ ○
Buka pri okretanju	● ● ● ○ ○
trenje , habanje	● ● ● ● ○
zastita od korozije	● ● ● ○ ○