

MAXTECH

UAO050x20-Ø8

EAN 4031582322842

Wheel center made of Polyamide, Tread: Polyurethane, plain bearing



BETTER MOBILITY. BETTER LIFE.

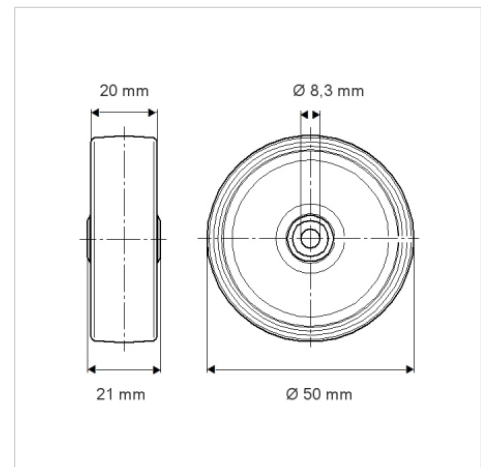


Picture may differ from original product

Technical Data

Wheel diameter	50 mm
Wheel width	20 mm
Axle Hole-Ø	8.3 mm
Hub length	21 mm
Temperature	- 40 / + 80 °C
Standard	EN 12530
Weight	0.029 kg
Hardness of tread	Shore D 40
Load capacity (dynamic)	50 kg
Load capacity (static)	100 kg

Dimensions



Advantages at a glance

Roll performance	● ● ● ○ ○
Movement noise	● ● ● ○ ○
Attrition	● ● ● ○ ○
Corrosion resistance	● ● ● ○ ○