

MAXTECH

UAP100x32-Ø8

EAN 4031582322934



BETTER MOBILITY. BETTER LIFE.

Telo tocka od poliamida , Omotac: POLiuretan , precizni kuglicni lezaj

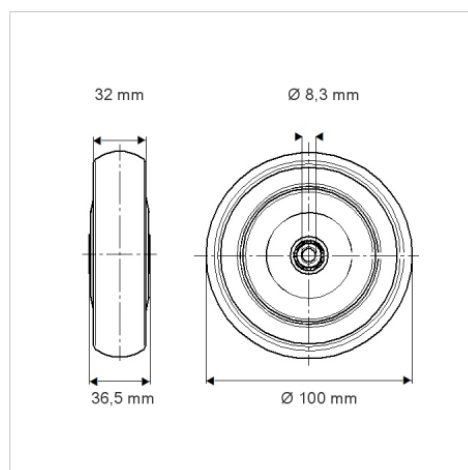


Picture may differ from original product

Tehnicki podaci

Precnik tocka.	100 mm
Sirina gazista.	32 mm
Otvor za osovinu Ø	8.3 mm
Duzina glavacine.	36.5 mm
Temperatura	- 25 / + 80 °C
Standard	EN 12530
Tezina	0.228 kg
Tvrdoca omotaca	Shore D 40
Dinamicka nosivost.	150 kg
Staticka nosivost.	300 kg

Dimensions



Advantages at a glance

Otpor okretanju	● ● ● ○ ○
Buka pri okretanju	● ● ● ○ ○
trenje , habanje	● ● ● ● ○
zastita od korozije	● ● ● ○ ○