

# MAXTECH

UAP150x32-Ø8

EAN 4031582322972

Telo tocka od poliamida , Omotac: POLiuretan , precizni kuglicni lezaj



BETTER MOBILITY. BETTER LIFE.

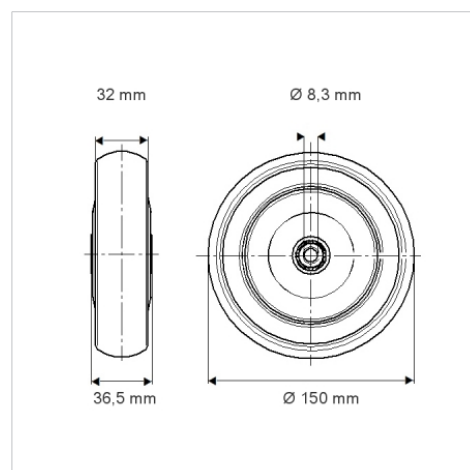


Picture may differ from original product

## Tehnicki podaci

Precnik tocka.	150 mm
Sirina gazista.	32 mm
Otvor za osovinu Ø	8.3 mm
Duzina glavine.	36.5 mm
Temperatura	- 25 / + 80 °C
Standard	EN 12530
Tezina	0.443 kg
Tvrdoca omotaca	Shore D 40
Dinamicka nosivost.	160 kg
Staticka nosivost.	320 kg

## Dimensions



## Advantages at a glance

Otpor okretanju	● ● ● ○ ○
Buka pri okretanju	● ● ● ○ ○
trenje , habanje	● ● ● ● ○
zastita od korozije	● ● ● ○ ○