

MAXTECH

UAR100x32-Ø12 HL34,9

EAN 4031582323115

Telo tocka od poliamida, Omotac> Poliuretan, valjkasti lezaj



BETTER MOBILITY. BETTER LIFE.

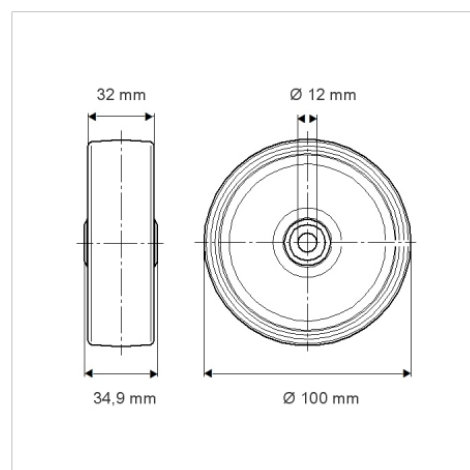


Picture may differ from original product

Tehnicki podaci

| | |
|---------------------|----------------|
| Precnik tocka. | 100 mm |
| Sirina gazista. | 32 mm |
| Otvor za osovinu Ø | 12 mm |
| Duzina glavcine. | 34.9 mm |
| Temperatura | - 25 / + 80 °C |
| Standard | EN 12532 |
| Tezina | 0.198 kg |
| Tvrdoca omotaca | Shore D 40 |
| Dinamicka nosivost. | 100 kg |
| Staticka nosivost. | 200 kg |

Dimensions



Advantages at a glance

| | |
|---------------------|-----------|
| Otpor okretanju | ● ● ● ○ ○ |
| Buka pri okretanju | ● ● ● ○ ○ |
| trenje , habanje | ● ● ● ● ○ |
| zastita od korozije | ● ● ● ○ ○ |