

# MAXTECH

UAR125x32-Ø12 HL44,4 grey

EAN 4031582323146

Telo tocka od poliamida, Omotac&gt; Poliuretan, valjkasti lezaj



BETTER MOBILITY. BETTER LIFE.

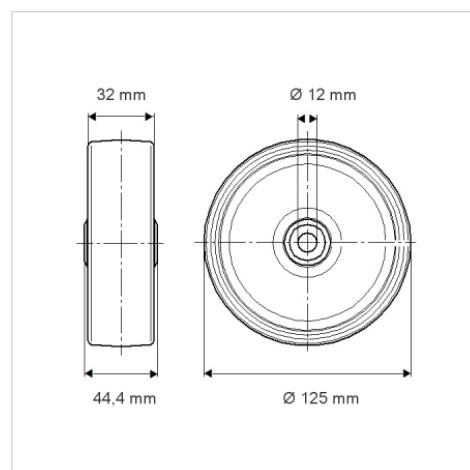


Picture may differ from original product

## Tehnicki podaci

Precnik tocka.	125 mm
Sirina gazista.	32 mm
Otvor za osovinu Ø	12 mm
Duzina glavcine.	44.4 mm
Temperatura	- 25 / + 80 °C
Standard	EN 12532
Tezina	0.27 kg
Tvrdoca omotaca	Shore D 42
Dinamicka nosivost.	200 kg
Staticka nosivost.	400 kg

## Dimensions



## Advantages at a glance

Otpor okretanju	● ● ● ○ ○
Buka pri okretanju	● ● ● ○ ○
trenje , habanje	● ● ● ● ○
zastita od korozije	● ● ● ○ ○