

ELASTECH

UER125x40-Ø12

EAN 4031582323306

Wheel center made of Polyamide, Tread: elastic-tire, black, roller bearing



BETTER MOBILITY. BETTER LIFE.

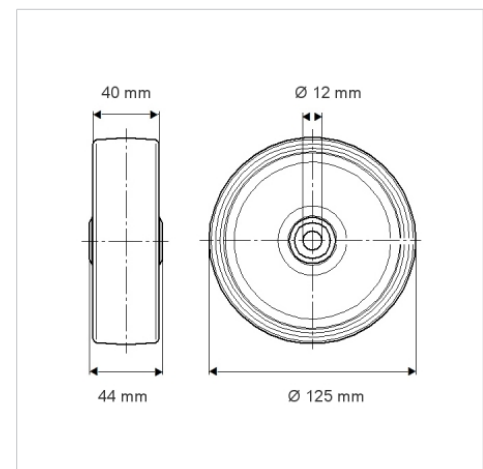


Picture may differ from original product

Technical Data

Wheel diameter	125 mm
Wheel width	40 mm
Axle Hole-Ø	12 mm
Hub length	44 mm
Temperature	- 20 / + 80 °C
Standard	EN 12532
Weight	0.401 kg
Hardness of tread	Shore A 63
Load capacity (dynamic)	250 kg
Load capacity (static)	500 kg

Dimensions



Advantages at a glance

Roll performance	● ● ● ○ ○
Movement noise	● ● ● ● ●
Attrition	● ● ● ○ ○
Corrosion resistance	● ● ● ○ ○