

ELASTECH

UER125x40-Ø12

EAN 4031582323306

Telo tocka od poliamida, Omotac: elasticna guma , crna , valjkasti lezaj

TENTE

BETTER MOBILITY. BETTER LIFE.

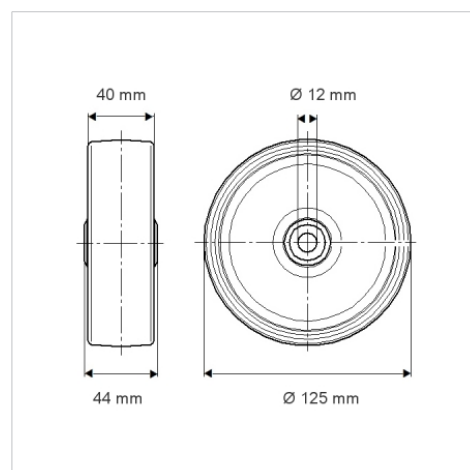


Picture may differ from original product

Tehnicki podaci

Precnik tocka.	125 mm
Sirina gazista.	40 mm
Otvor za osovinu Ø	12 mm
Duzina glavcine.	44 mm
Temperatura	- 20 / + 80 °C
Standard	EN 12532
Tezina	0.401 kg
Tvrdoca omotaca	Shore A 63
Dinamicka nosivost.	250 kg
Staticka nosivost.	500 kg

Dimensions



Advantages at a glance

Otpor okretanju	● ● ● ○ ○
Buka pri okretanju	● ● ● ● ●
trenje , habanje	● ● ● ○ ○
zastita od korozije	● ● ● ○ ○