

ELASTECH

UFP160x46-Ø12

EAN 4031582323368

Wheel centre made of Polyamide, Tread: elastic-tyre, non-marking, precision ball bearing



BETTER MOBILITY. BETTER LIFE.

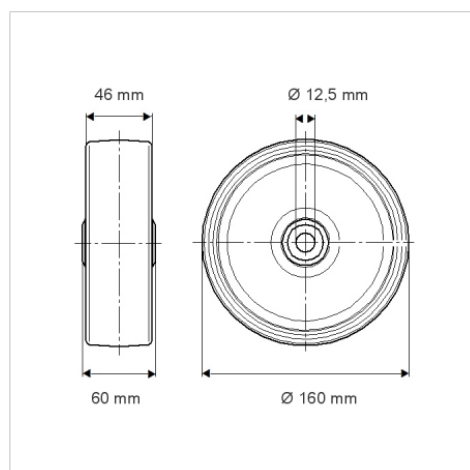


Picture may differ from original product

Technical Data

| | |
|------------------------|----------------|
| Wheel diameter | 160 mm |
| Wheel width | 46 mm |
| Axle Hole-Ø | 12.5 mm |
| Hub length | 60 mm |
| Temperature | - 20 / + 80 °C |
| Standard | EN 12532 |
| Weight | 0.943 kg |
| Hardness of tread | Shore A 63 |
| Load capacity | 300 kg |
| Load capacity (static) | 600 kg |

Dimensions



Advantages at a glance

| | |
|----------------------|-----------|
| Roll performance | ● ● ● ○ ○ |
| Movement noise | ● ● ● ● ● |
| Attrition | ● ● ● ○ ○ |
| Corrosion resistance | ● ● ● ○ ○ |