

DURATECH

U00050x20-Ø8

EAN 4031582323450

Telo tocka od poliamida , obican lezaj



BETTER MOBILITY. BETTER LIFE.

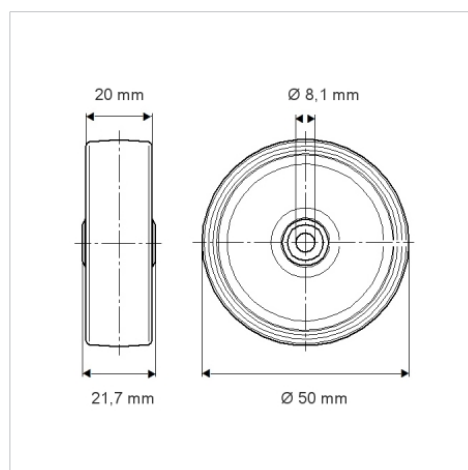


Picture may differ from original product

Tehnicki podaci

Precnik tocka.	50 mm
Sirina gazista.	20 mm
Otvor za osovinu Ø	8.1 mm
Duzina glavicine.	21.7 mm
Temperatura	- 40 / + 80 °C
Standard	EN 12530
Tezina	0.018 kg
Tvrdoca omotaca	Shore D 75
Dinamicka nosivost.	55 kg
Staticka nosivost.	110 kg

Dimensions



Advantages at a glance

Otpor okretanju	● ● ● ○ ○
Buka pri okretanju	● ● ● ○ ○
trenje , habanje	● ● ● ● ●
zastita od korozije	● ● ● ○ ○