

# DURATECH

U00100x36-Ø12

EAN 4031582070101

Wheel centre made of Polyamide, plain bearing



BETTER MOBILITY. BETTER LIFE.

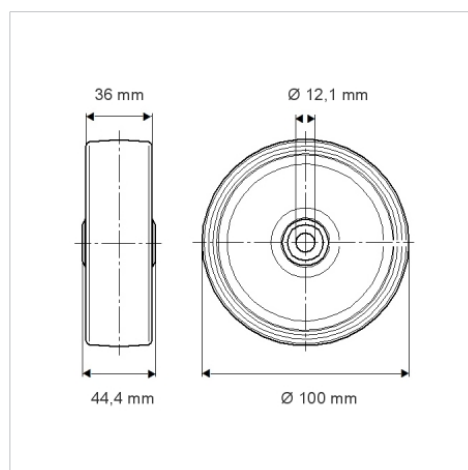


Picture may differ from original product

## Technical Data

Wheel diameter	100 mm
Wheel width	36 mm
Axle Hole-Ø	12.1 mm
Hub length	44.4 mm
Temperature	- 40 / + 80 °C
Standard	EN 12532
Weight	0.135 kg
Hardness of tread	Shore D 75
Load capacity	200 kg
Load capacity (static)	400 kg

## Dimensions



## Advantages at a glance

Roll performance	● ● ● ○ ○
Movement noise	● ● ● ○ ○
Attrition	● ● ● ● ●
Corrosion resistance	● ● ● ○ ○