

# DURATECH

U00125x40-Ø12 HL 48

EAN 4031582323467

Telo tocka od poliamida , obican lezaj

**TENTE**

BETTER MOBILITY. BETTER LIFE.

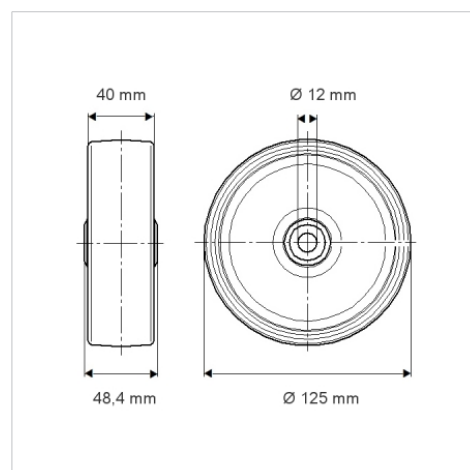


Picture may differ from original product

## Tehnicki podaci

Precnik tocka.	125 mm
Sirina gazista.	40 mm
Otvor za osovinu Ø	12 mm
Duzina glavnice.	48.4 mm
Temperatura	- 40 / + 80 °C
Standard	EN 12532
Tezina	0.244 kg
Tvrdoca omotaca	Shore D 75
Dinamicka nosivost.	300 kg
Staticka nosivost.	600 kg

## Dimensions



## Advantages at a glance

Otpor okretanju	● ● ● ○ ○
Buka pri okretanju	● ● ● ○ ○
trenje , habanje	● ● ● ● ●
zastita od korozije	● ● ● ○ ○