

DURATECH

U00160x40-Ø20

EAN 4031582070125

Wheel centre made of Polyamide, plain bearing



BETTER MOBILITY. BETTER LIFE.

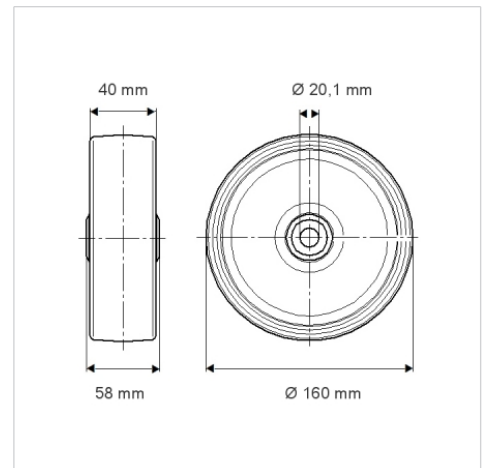


Picture may differ from original product

Technical Data

Wheel diameter	160 mm
Wheel width	40 mm
Axle Hole-Ø	20.1 mm
Hub length	58 mm
Temperature	- 40 / + 80 °C
Standard	EN 12532
Weight	0.448 kg
Hardness of tread	Shore D 75
Load capacity	500 kg
Load capacity (static)	1000 kg

Dimensions



Advantages at a glance

Roll performance	● ● ● ○ ○
Movement noise	● ● ● ○ ○
Attrition	● ● ● ● ●
Corrosion resistance	● ● ● ○ ○