

# DURATECH

UOP200x50-Ø20

EAN 4031582323528

Wheel centre made of Polyamide, precision ball bearing



BETTER MOBILITY. BETTER LIFE.

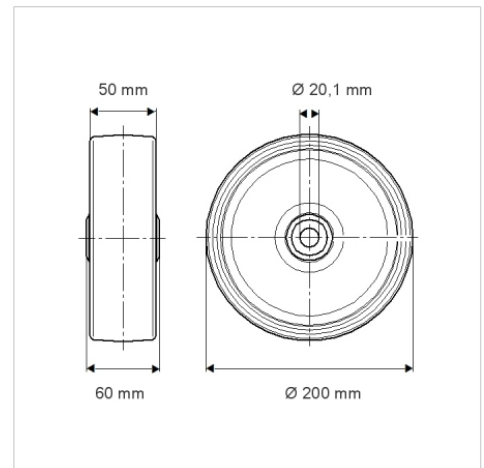


Picture may differ from original product

## Technical Data

Wheel diameter	200 mm
Wheel width	50 mm
Axle Hole-Ø	20.1 mm
Hub length	60 mm
Temperature	- 25 / + 80 °C
Standard	EN 12532
Weight	1.006 kg
Hardness of tread	Shore D 75
Load capacity	800 kg
Load capacity (static)	1600 kg

## Dimensions



## Advantages at a glance

Roll performance	● ● ● ● ●
Movement noise	● ● ● ○ ○
Attrition	● ● ● ● ●
Corrosion resistance	● ● ● ○ ○