

# DURATECH

UOP200x50-Ø20

EAN 4031582323528

Wheel center made of Polyamide, precision ball bearing



BETTER MOBILITY. BETTER LIFE.

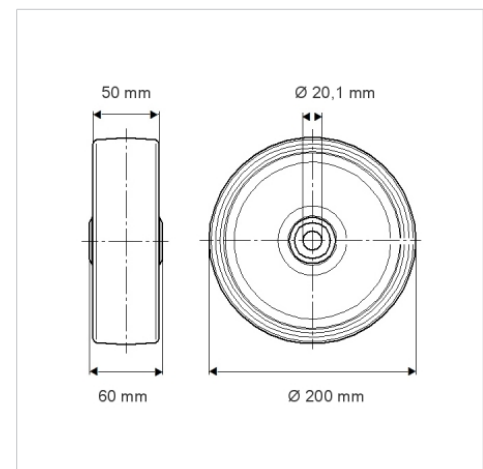


Picture may differ from original product

## Technical Data

|                         |                |
|-------------------------|----------------|
| Wheel diameter          | 200 mm         |
| Wheel width             | 50 mm          |
| Axle Hole-Ø             | 20.1 mm        |
| Hub length              | 60 mm          |
| Temperature             | - 25 / + 80 °C |
| Standard                | EN 12532       |
| Weight                  | 1.006 kg       |
| Hardness of tread       | Shore D 75     |
| Load capacity (dynamic) | 800 kg         |
| Load capacity (static)  | 1600 kg        |

## Dimensions



## Advantages at a glance

|                      |           |
|----------------------|-----------|
| Roll performance     | ● ● ● ● ● |
| Movement noise       | ● ● ● ○ ○ |
| Attrition            | ● ● ● ● ● |
| Corrosion resistance | ● ● ● ○ ○ |