

DURATECH

UOP200x50-Ø20

EAN 4031582323528

Telo tocka od poliamida , precizni kuglicni lezaj



BETTER MOBILITY. BETTER LIFE.

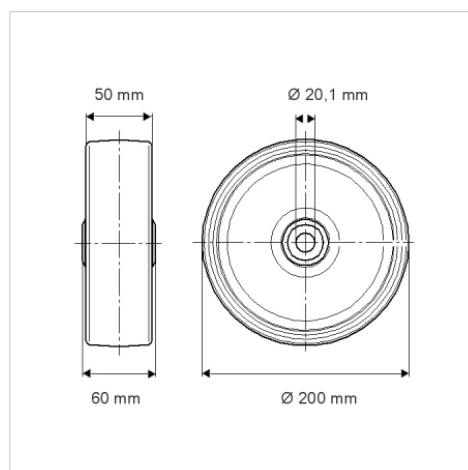


Picture may differ from original product

Tehnicki podaci

Precnik tocka.	200 mm
Sirina gazista.	50 mm
Otvor za osovinu Ø	20.1 mm
Duzina glavcine.	60 mm
Temperatura	- 25 / + 80 °C
Standard	EN 12532
Tezina	1.006 kg
Tvrdoca omotaca	Shore D 75
Dinamicka nosivost.	800 kg
Staticka nosivost.	1600 kg

Dimensions



Advantages at a glance

Otpor okretanju	● ● ● ● ●
Buka pri okretanju	● ● ● ○ ○
trenje , habanje	● ● ● ● ●
zastita od korozije	● ● ● ○ ○