

DURATECH

UOR100x36-Ø12

EAN 4031582323535

Wheel centre made of Polyamide, roller bearing



BETTER MOBILITY. BETTER LIFE.

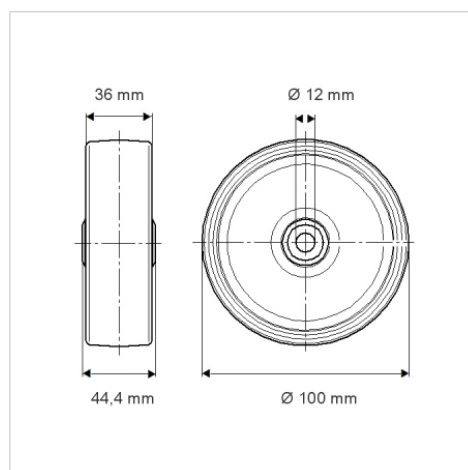


Picture may differ from original product

Technical Data

Wheel diameter	100 mm
Wheel width	36 mm
Axle Hole-Ø	12 mm
Hub length	44.4 mm
Temperature	- 25 / + 80 °C
Standard	EN 12532
Weight	0.176 kg
Hardness of tread	Shore D 75
Load capacity	200 kg
Load capacity (static)	400 kg

Dimensions



Advantages at a glance

Roll performance	● ● ● ○ ○
Movement noise	● ● ● ○ ○
Attrition	● ● ● ● ●
Corrosion resistance	● ● ● ○ ○