

DURATECH

UOR100x36-Ø12

EAN 4031582323535

Wheel center made of Polyamide, roller bearing



BETTER MOBILITY. BETTER LIFE.

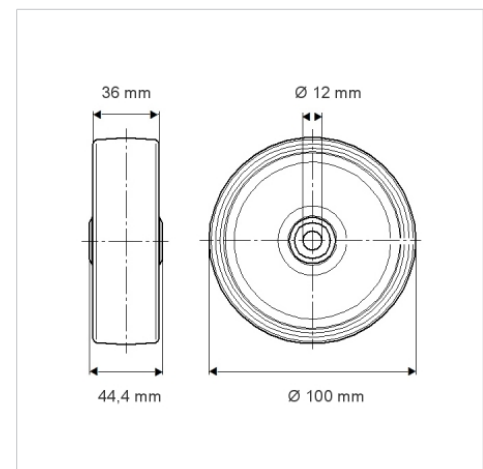


Picture may differ from original product

Technical Data

| | |
|-------------------------|----------------|
| Wheel diameter | 100 mm |
| Wheel width | 36 mm |
| Axle Hole-Ø | 12 mm |
| Hub length | 44.4 mm |
| Temperature | - 25 / + 80 °C |
| Standard | EN 12532 |
| Weight | 0.176 kg |
| Hardness of tread | Shore D 75 |
| Load capacity (dynamic) | 200 kg |
| Load capacity (static) | 400 kg |

Dimensions



Advantages at a glance

| | |
|----------------------|-----------|
| Roll performance | ● ● ● ○ ○ |
| Movement noise | ● ● ● ○ ○ |
| Attrition | ● ● ● ● ● |
| Corrosion resistance | ● ● ● ○ ○ |