

# DURATECH

## UOR100x36-Ø12

EAN 4031582323535

Telo tocka od poliamida , valjkasti lezaj



BETTER MOBILITY. BETTER LIFE.

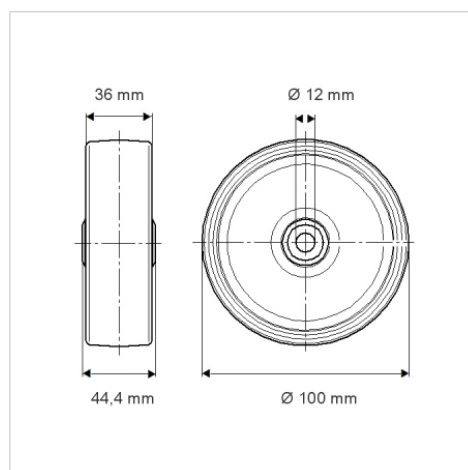


Picture may differ from original product

### Tehnicki podaci

Precnik tocka.	100 mm
Sirina gazista.	36 mm
Otvor za osovinu Ø	12 mm
Duzina glavnice.	44.4 mm
Temperatura	- 25 / + 80 °C
Standard	EN 12532
Tezina	0.176 kg
Tvrdoca omotaca	Shore D 75
Dinamicka nosivost.	200 kg
Staticka nosivost.	400 kg

### Dimensions



### Advantages at a glance

Otpor okretanju	● ● ● ○ ○
Buka pri okretanju	● ● ● ○ ○
trenje , habanje	● ● ● ● ●
zastita od korozije	● ● ● ○ ○