

DURATECH

UOR160x40-Ø20

EAN 4031582323566

Telo tocka od poliamida , valjkasti lezaj



BETTER MOBILITY. BETTER LIFE.

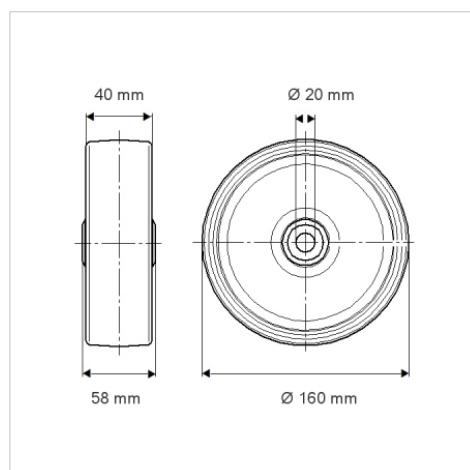


Picture may differ from original product

Tehnicki podaci

Precnik tocka.	160 mm
Sirina gazista.	40 mm
Otvor za osovinu Ø	20 mm
Duzina glavcine.	58 mm
Temperatura	- 25 / + 80 °C
Standard	EN 12532
Tezina	0.578 kg
Tvrdoca omotaca	Shore D 75
Dinamicka nosivost.	400 kg
Staticka nosivost.	800 kg

Dimensions



Advantages at a glance

Otpor okretanju	● ● ● ○ ○
Buka pri okretanju	● ● ● ○ ○
trenje , habanje	● ● ● ● ●
zastita od korozije	● ● ● ○ ○