

DURATECH

UOR200x50-Ø20

EAN 4031582323573

Telo tocka od poliamida , valjkasti lezaj

TENTE

BETTER MOBILITY. BETTER LIFE.

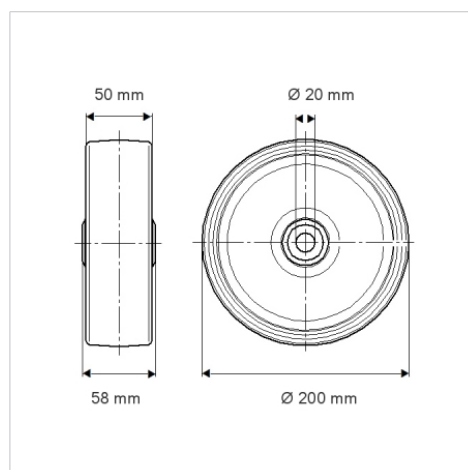


Picture may differ from original product

Tehnicki podaci

Precnik tocka.	200 mm
Sirina gazista.	50 mm
Otvor za osovinu Ø	20 mm
Duzina glavcine.	58 mm
Temperatura	- 25 / + 80 °C
Standard	EN 12532
Tezina	0.95 kg
Tvrdoca omotaca	Shore D 75
Dinamicka nosivost.	400 kg
Staticka nosivost.	800 kg

Dimensions



Advantages at a glance

Otpor okretanju	● ● ● ○ ○
Buka pri okretanju	● ● ● ○ ○
trenje , habanje	● ● ● ● ●
zastita od korozije	● ● ● ○ ○